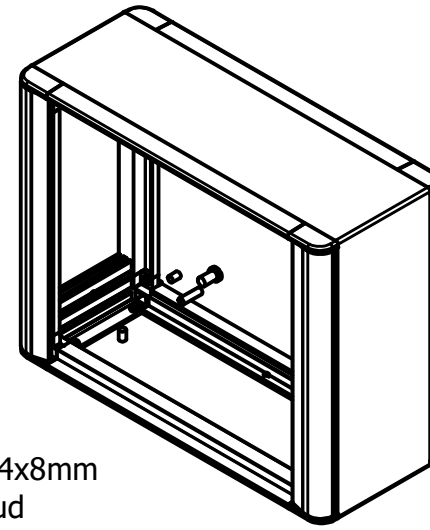
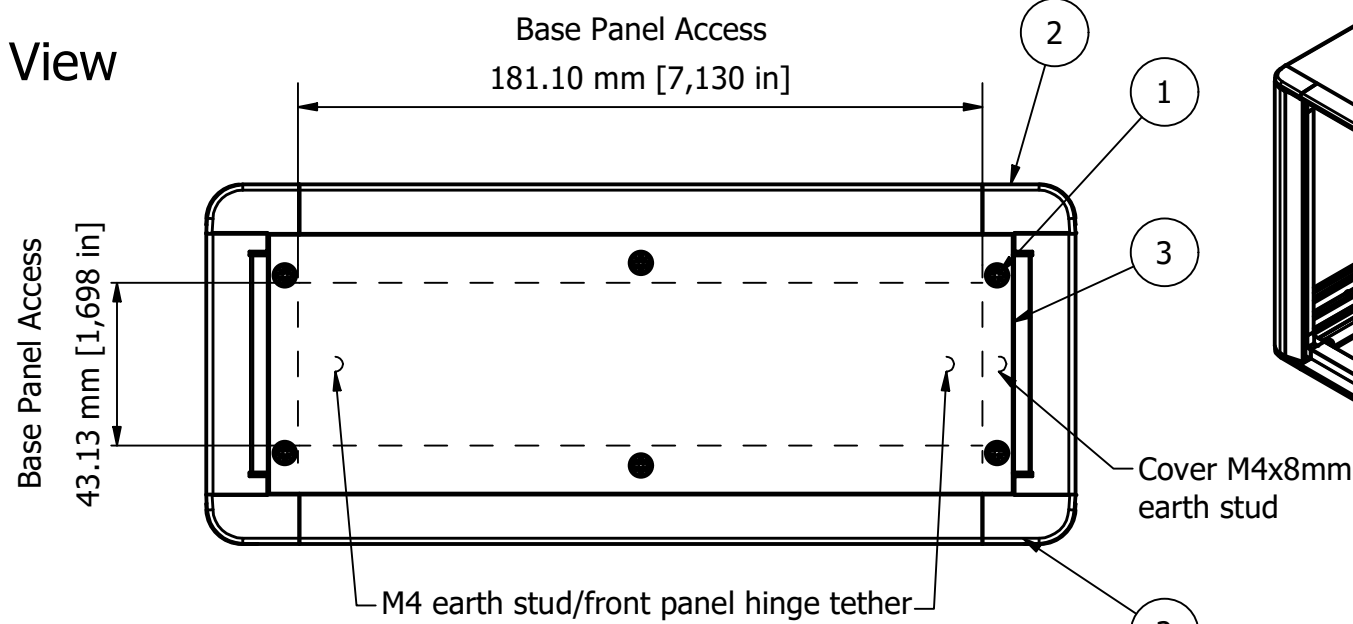


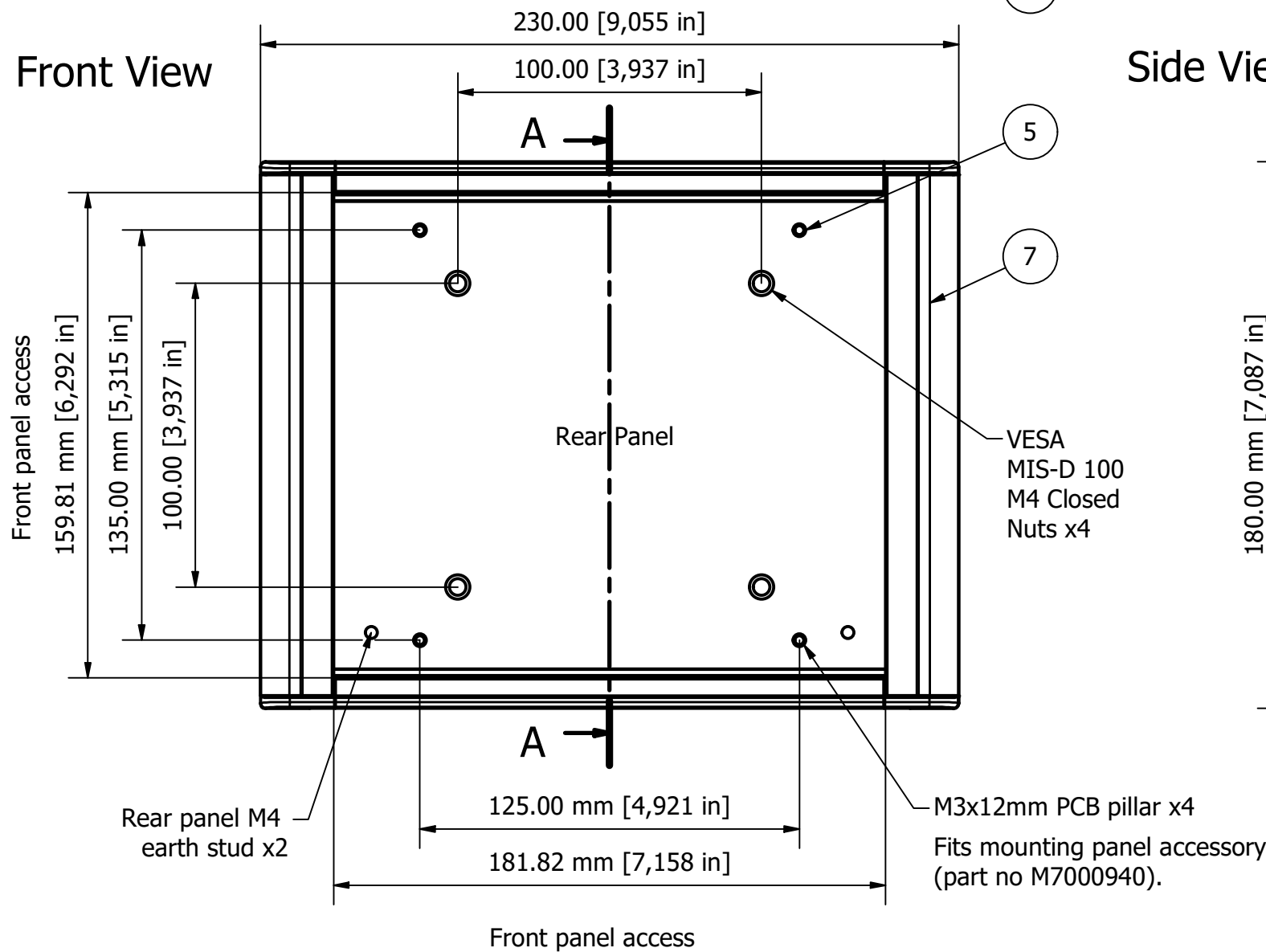
Base View



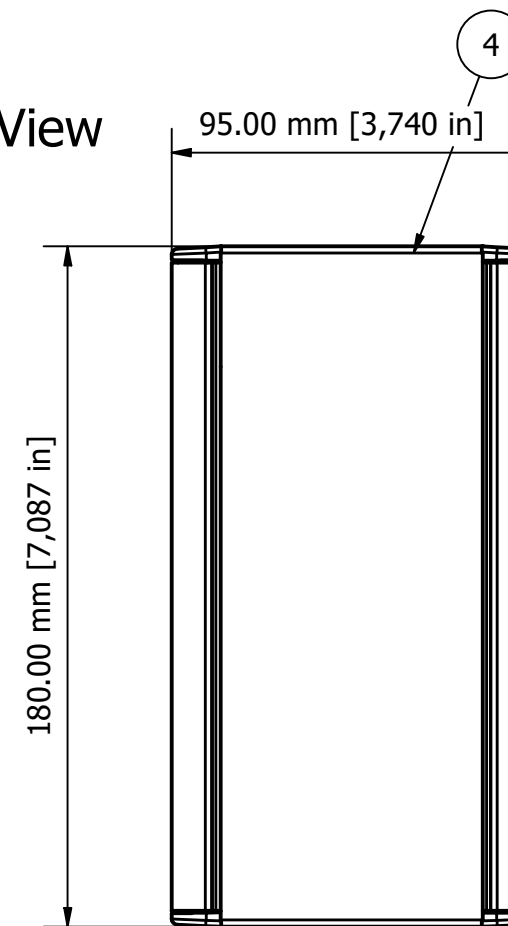
PARTS LIST

ITEM	QTY	PART NUMBER	DESCRIPTION
1	6	M3x6 CSK Screw	Base Panel Screws
2	2	M7000104	Front/Rear Bezel
3	1	M7003010	Base Panel
4	1	M7002010	Cover
5	1	M7005010	Rear Panel - 2mm thick
6	4	M7004112	Internal Chassis Extrusions
7	4	M7000044	Snap-on Trims
8	8	M4x16 CSK Screw	Bezel Screws
9	4	M3x8 Pan Screw	Rear Panel Screws
10	8	M6420000	Trim Clips
11	1	M7000700 / 720 / 740	Front Panel Sold Separately

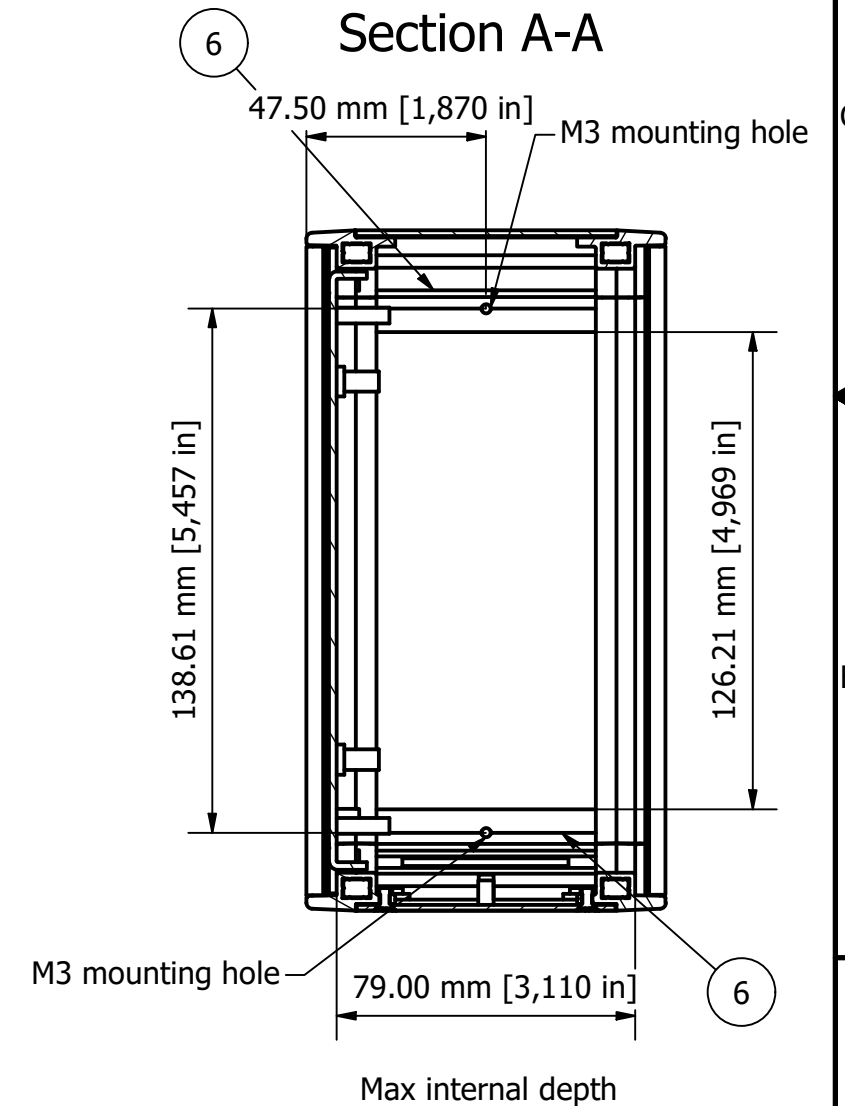
Front View



Side View



Section A-A



Notes

Case is fabricated from 1.5/2 mm aluminium sheet with diecast and extrusion bezels. Case is powder coat painted fine texture. Cover, rear and base all have M4 x 8 mm earth studs. Front panel screws supplied with each case. Suggested max PCB size is 181x155mm

© OKW Enclosures Ltd (Date as shown). This drawing contains proprietary information of OKW Enclosures Ltd and is tendered subject to the following conditions. The information be retained in confidence, not be reproduced or copied, and not be used or incorporated in any product, unless permission is obtained in writing from OKW Enclosures Ltd.

FIRST ANGLE PROJECTION

Designed by L Clark	Description TECHNOMET-CONTROL C218V	Date 27/09/2023	Scale
METCASE ENCLOSURES 15 Brunel Way, Segensworth East, Fareham, Hampshire, PO15 5TX, UK. Tel: +44 (0)1489 583858 Email: sales@metcase.co.uk		METcase™ www.metcase.com Part Number M7023002 - M7023006	
		Issue 1	Sheet 1 / 1