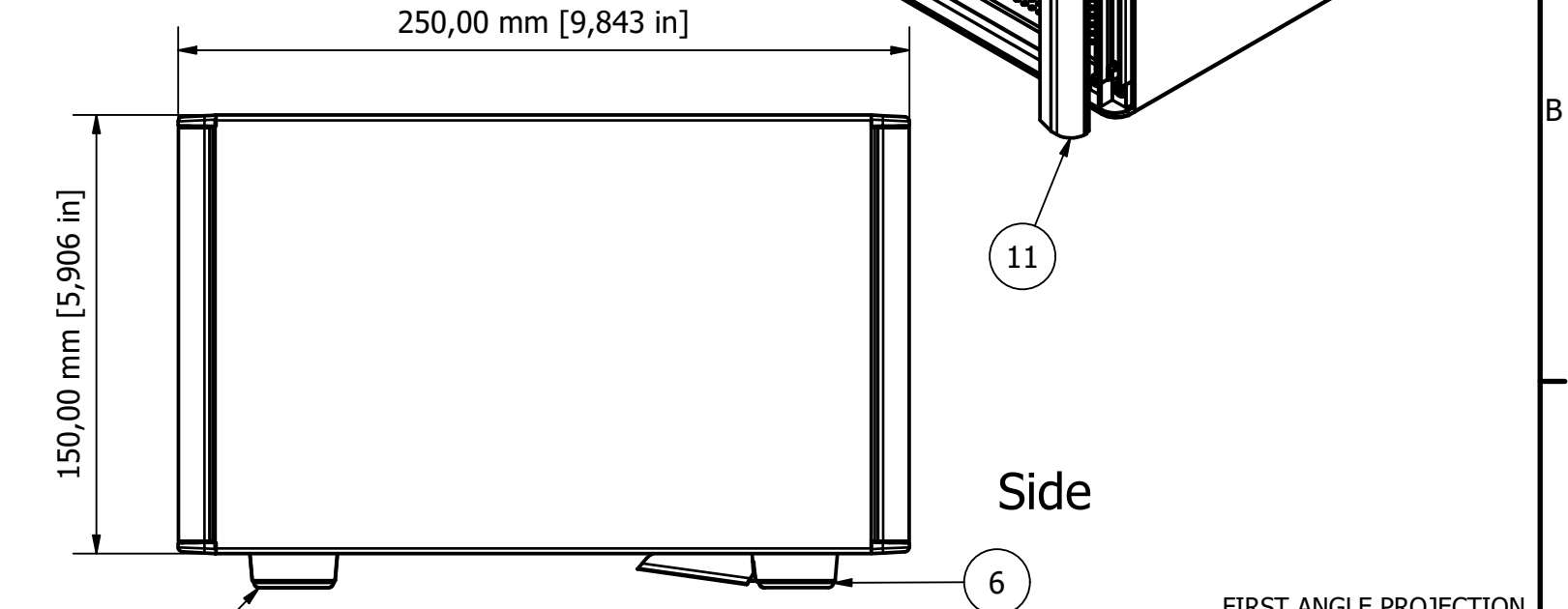
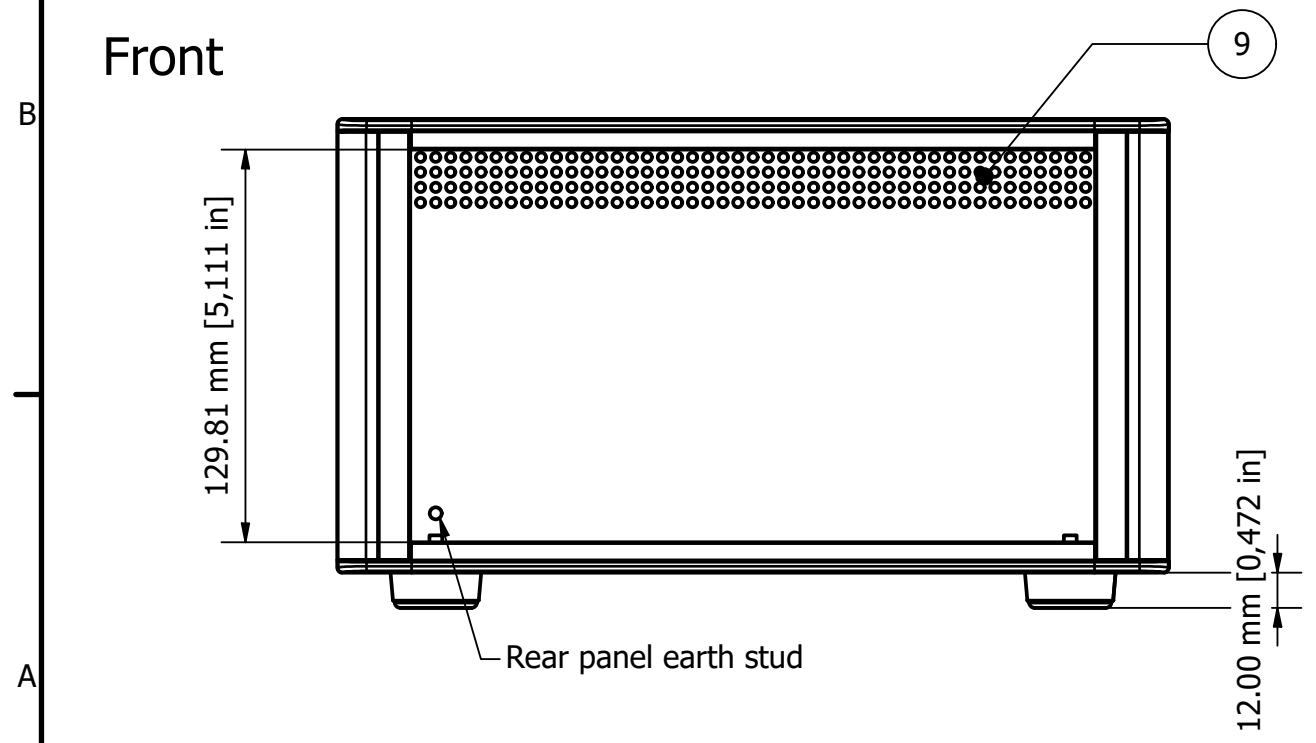


| PARTS LIST | | | |
|------------|-----|---------------|------------------------------|
| ITEM | QTY | PART NUMBER | DESCRIPTION |
| 1 | 8 | M3x8mm Pan | Rear/Front Panel Screws |
| 2 | 8 | M4x16mm CSK | Bezel Assembly Screws |
| 3 | 8 | M3x6mm CSK | Base Panel Screws |
| 4 | 8 | M6420000 | Clip for Trims |
| 5 | 2 | M6420204 flat | Rear Non-Tilt Feet |
| 6 | 2 | M6420204 tilt | Front Tilt Feet |
| 8 | 1 | M6403355 | Base/Internal Sides Sub-Assy |
| 9 | 1 | M6403455 | Rear Panel - 1.5 mm Thick |
| 10 | 2 | M6401055 | Front/Rear Bezel |
| 11 | 2 | M6400057 | Front Trim |
| 12 | 2 | M6400077 | Rear Trim |
| 13 | 1 | M6402008 | Wrap Around Cover |

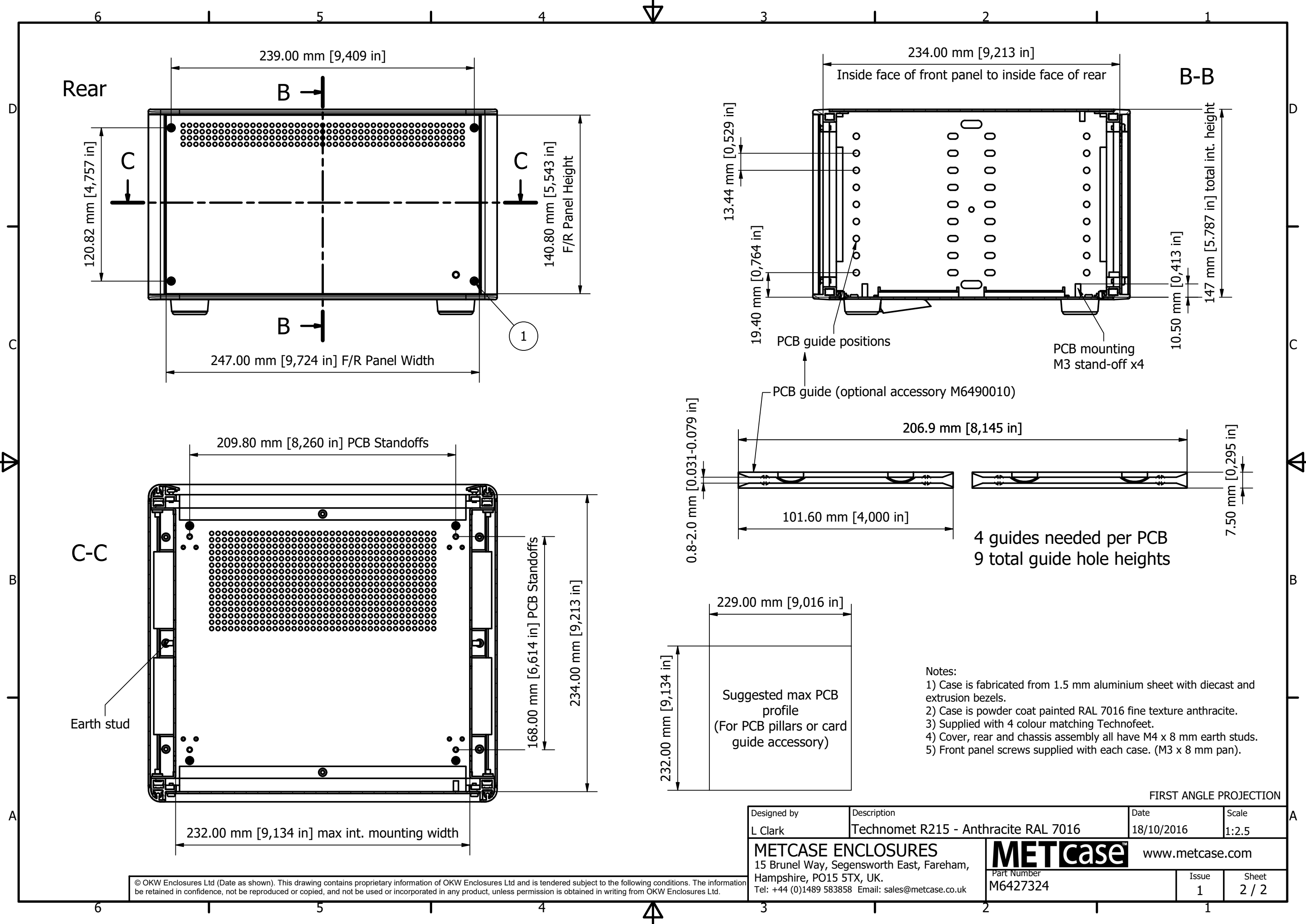


FIRST ANGLE PROJECTION

Front panel (M6400704) sold seperately

© OKW Enclosures Ltd (Date as shown). This drawing contains proprietary information of OKW Enclosures Ltd and is tendered subject to the following conditions. The information be retained in confidence, not be reproduced or copied, and not be used or incorporated in any product, unless permission is obtained in writing from OKW Enclosures Ltd.

| | | | |
|--|---|---|----------------|
| Designed by L Clark | Description Technomet R215 - Anthracite RAL 7016 | Date 18/10/2016 | Scale 1:2.5 |
| METCASE ENCLOSURES 15 Brunel Way, Segensworth East, Fareham, Hampshire, PO15 5TX, UK. Tel: +44 (0)1489 583858 Email: sales@metcase.co.uk | | METcase™ www.metcase.com Part Number M6427324 | |
| | | Issue 1 | Sheet 1 / 2 |



Rear

B-B

C-C

Notes:

- 1) Case is fabricated from 1.5 mm aluminium sheet with diecast and extrusion bezels.
- 2) Case is powder coat painted RAL 7016 fine texture anthracite.
- 3) Supplied with 4 colour matching Technofeet.
- 4) Cover, rear and chassis assembly all have M4 x 8 mm earth studs.
- 5) Front panel screws supplied with each case. (M3 x 8 mm pan).

FIRST ANGLE PROJECTION

| | | | |
|--|---|---|----------------|
| Designed by L Clark | Description Technomet R215 - Anthracite RAL 7016 | Date 18/10/2016 | Scale 1:2.5 |
| METCASE ENCLOSURES 15 Brunel Way, Segensworth East, Fareham, Hampshire, PO15 5TX, UK. Tel: +44 (0)1489 583858 Email: sales@metcase.co.uk | | METcase™ www.metcase.com Part Number M6427324 | |
| | | Issue 1 | Sheet 2 / 2 |

© OKW Enclosures Ltd (Date as shown). This drawing contains proprietary information of OKW Enclosures Ltd and is tendered subject to the following conditions. The information be retained in confidence, not be reproduced or copied, and not be used or incorporated in any product, unless permission is obtained in writing from OKW Enclosures Ltd.